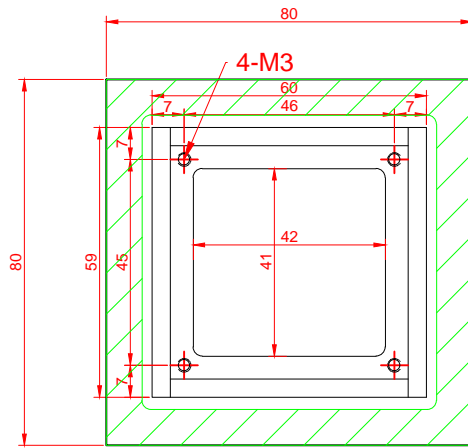
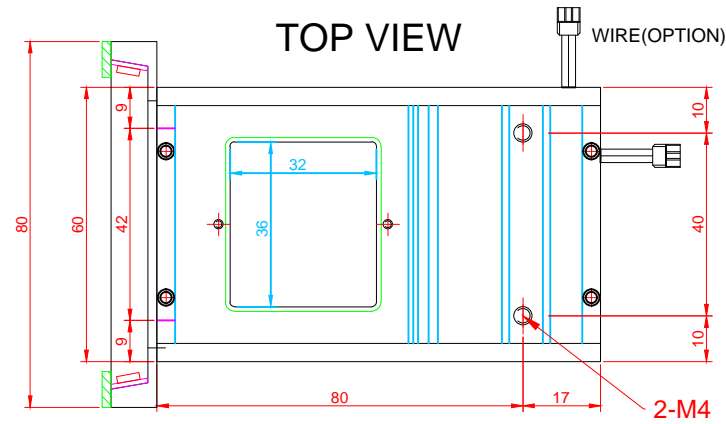


# JIC-DX-5S-M

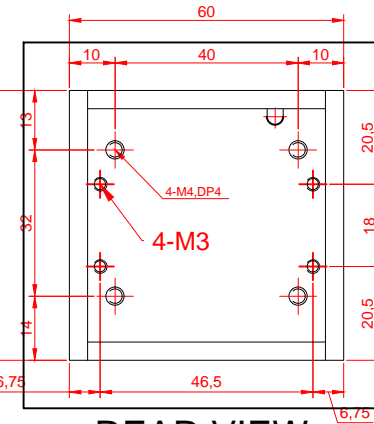
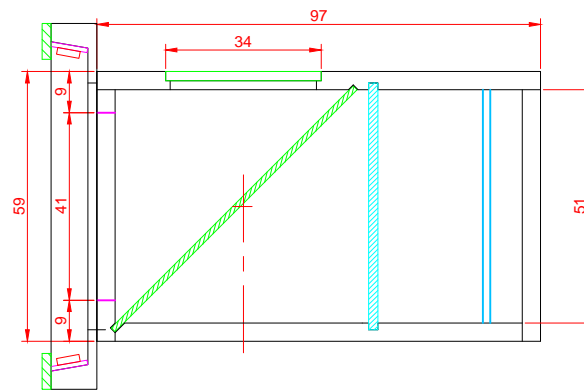
NO.	DATE	REVISIONS	E. Q. NO.	DR.	CK.

## -SPECIFICATIONS-

TYPE : COAXIAL  
 HALF MIRROR RATIO 50:50  
 VOLTAGE: DC12V / WATTAGE:



FRONT VIEW



REAR VIEW

QTY	NO.	종번	종명	MATERIAL	REMARK

DATE	2014. 05. 19
DESIGNED	김민준
CHECKED	김민준
DRAWN	김민준
DATE	2014. 05. 19
DESIGNED	김민준
CHECKED	김민준
DRAWN	김민준
JIC-DX-5S-M 취부도	
SCALE	1:1
REVISION	
DATE	
DESIGNED	
CHECKED	
DRAWN	