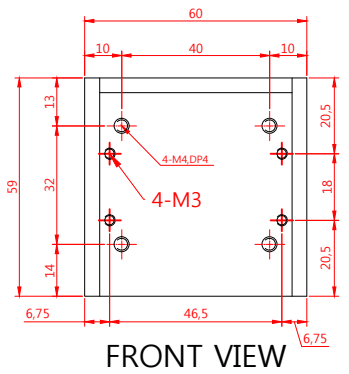
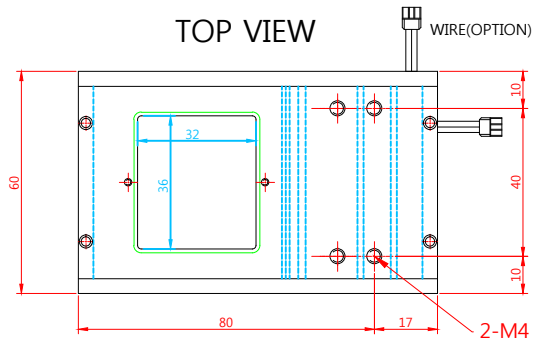


NO.	DATE	REVISIONS	E.O. NO.	DR	CK

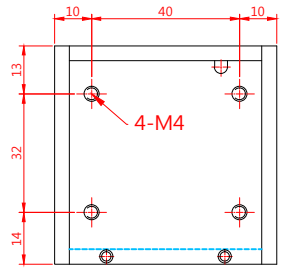
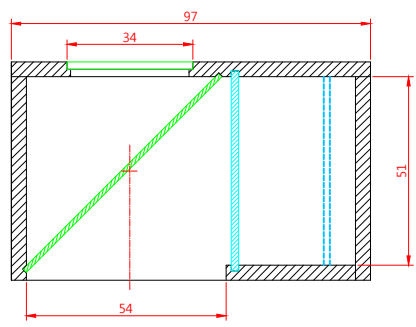
-SPECIFICATIONS-

TYPE : COAXIAL  
 HALF MIRROR RATIO 50:50  
 VOLTAGE: DC12V / WATTAGE:

TOP VIEW



FRONT VIEW



REAR VIEW

QTY	NO.	종 명	종 호	MATERIAL	REMARK

CHECKED 2014. 05. 19 ASSEMBLY (UNLESS OTHERWISE SPECIFIED) MATERIAL FINISH TOLERANCE UNIT: mm SURFACE FINISH REFERENCE	DRAWN 2014. 05. 19 CHECKED 2014. 05. 19 APPROVED 2014. 05. 19 SCALE
PART NAME: JIC-DX5-취부도	
PART NO: 01	PART NO: A1N5