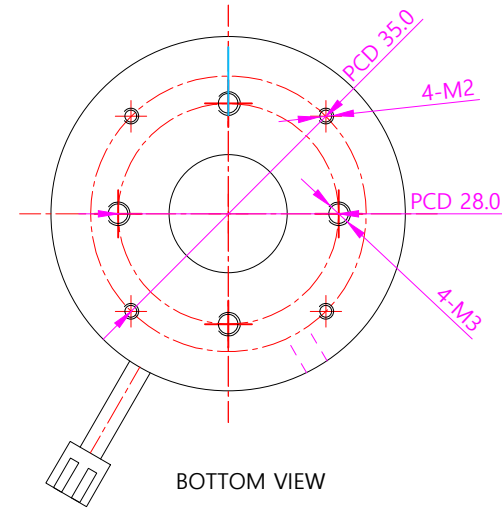
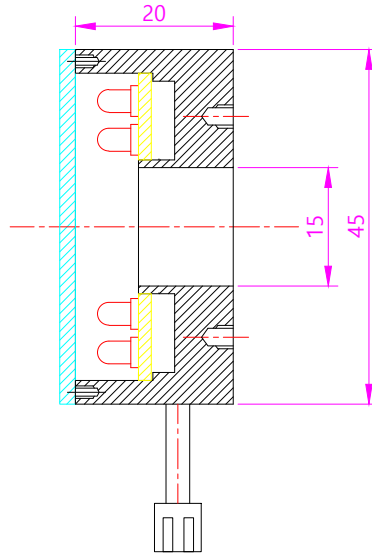
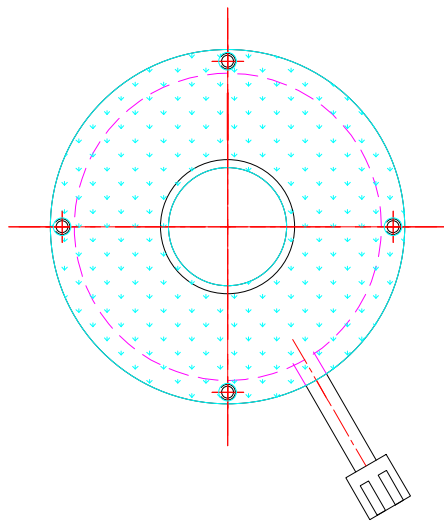


2		1			
NO	DATE	REVISIONS	E. O. NO	DR	CK



-SPECIFICATIONS-
MATERIAL : ALUMINUM
TRETMENTS : BLACK ANODIZING
TYPE : DIRECT
VOLTAGE: DC12/24V / WATTAGE: W

QT'Y	NO	품번	품명	MATERIAL	REMARK
		비고	<div style="display: flex; justify-content: space-between;"> <div> <p>작성 (DATE) 2021. 10. 27</p> <p>검토 (DRAWN) 검토 (CHECKED) 승인 (APPROVED) 승인 (APPROVED)</p> <p>기준공차 (UNLESS OTHERWISE SPECIFIED) 일반공차 (GENERAL DIM) 각공차 (ANGLE DIM) 기계공차 (MACHINE DIM) 단면공차 (SECTION DIM) 주조공차 (PRESS DIM) 주조공차 (CASTING DIM) 표면 (DIM)</p> </div> <div> <p>수량 (QTY) 중량 (WT)g</p> <p>1 1</p> </div> </div> <p>단위 : mm PROJECTION 3RD ANGLE DIMENSION MILLIMETER</p>		
		PART NAME	<p>소재 (MATERIAL)</p> <p>표면처리 (FINISH)</p> <p>용량 (PART NAME)</p> <p style="text-align: center; font-size: 1.2em;">JDR-45-15-취부도</p>		
2	1	I/N	도번 (PART NO)	도면크기 (FORM)	매 (SHT)
			C	A1N5	01 / 01 매 (SHTS)