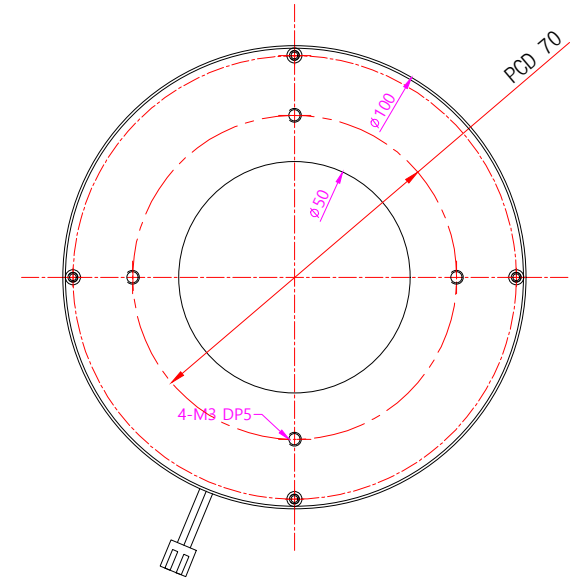
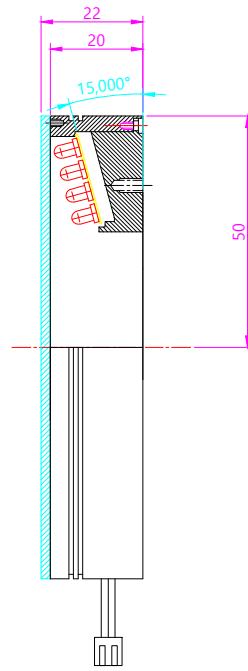
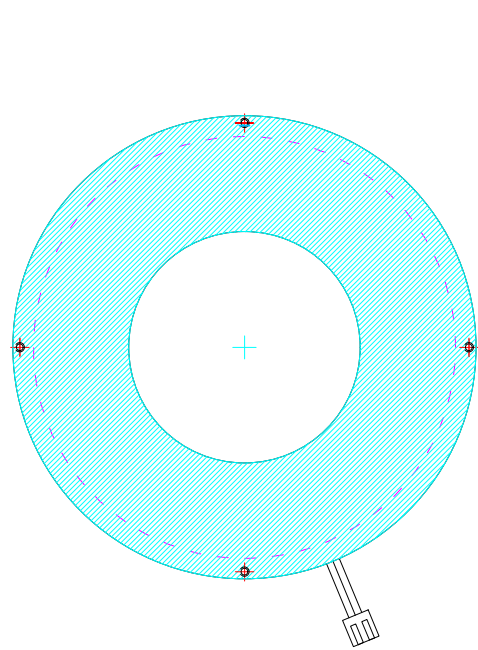


2		1	
NO	DATE	REVISIONS	E.O. NO
			DR
			CK



-SPECIFICATIONS-  
 MATERIAL : ALUMINUM  
 TRETMENTS : BLACK ANODIZING  
 TYPE : DIRECT LOW ANGLE  
 VOLTAGE: DC 12/24 V

QT	Y	NO	품 번	품 명	MATERIAL	REMARK
DATE		2021. 10. 27				
DRAWN		윤철민				
CHECKED		[Signature]				
APPROVED		[Signature]				
APPROVED		[Signature]				
UNLESS OTHERWISE SPECIFIED		DO NOT SCALE				
QUANTITY		1				
SCALE		NS				
MATERIAL		[Signature]				
PART NAME		JDR-100-50L-취부도				
PART NO.		A1N5				
FORM		01				
SHEET		01				
SHEET		01				