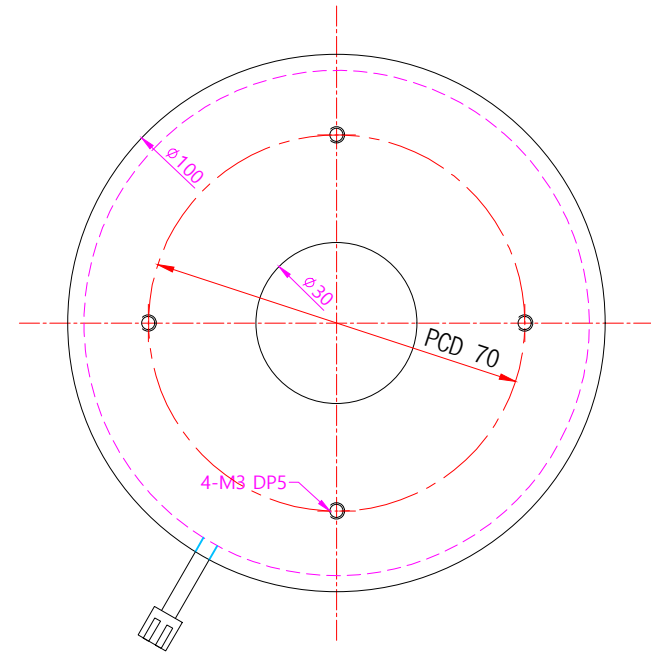
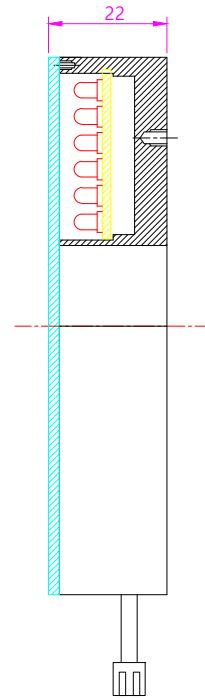
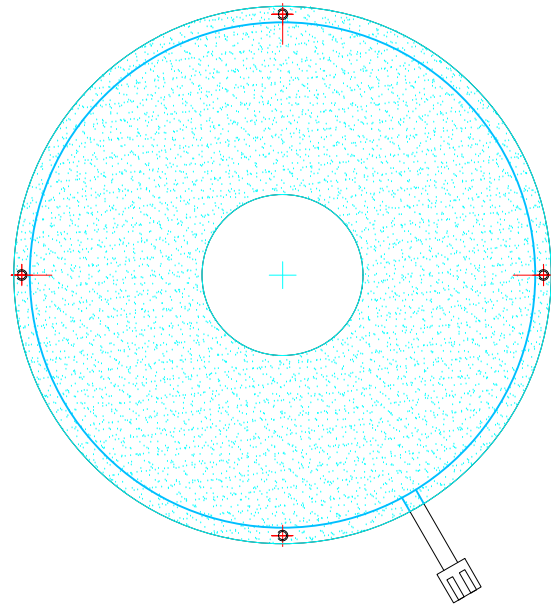


NO	DATE	REVISIONS	E.O. NO	DR	CK



-SPECIFICATIONS-  
 MATERIAL : ALUMINUM  
 TRETMENTS : BLACK ANODIZING  
 TYPE : DIRECT RING  
 VOLTAGE: DC 12/24 V

QT.Y	NO	품 번	품 명	MATERIAL	REMARK

DATE	2021. 10. 27
SCALE	DO NOT SCALE
QTY	1
SCALE	NS
MATERIAL	AL6063-T5
FINISH	BLACK ANODIZING
PART NAME	JDR-100-30-취부도
FORM	A1N5
SHEET	01 / 01