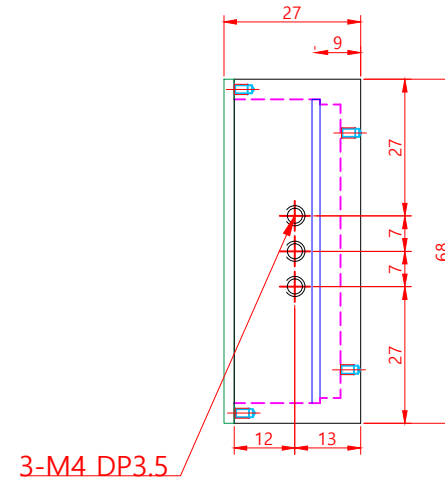
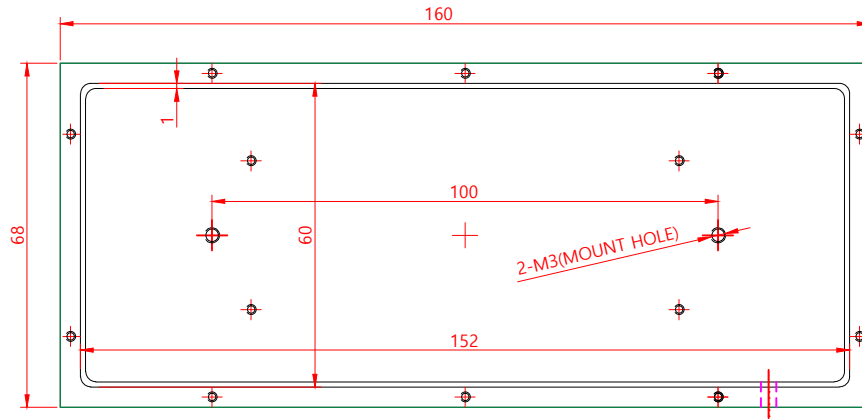
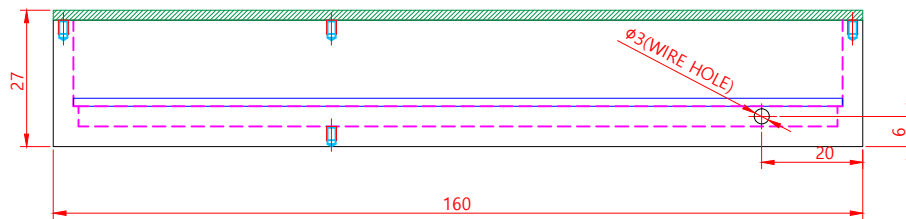


JDB-150-60

2		1	
NO.	DATE	REVISIONS	E.O. NO.



3-M4 DP3.5



-SPECIFICATIONS-

MATERIAL : ALUMINUM
 TRETMENTS : BLACK ANODIZING
 LED TYPE : 3mm ,WHITE,IR
 VOLTAGE: DC24V / WATTAGE:

QTY	NO	品名	品名	MATERIAL	REMARK
JAYTECH DATE: 2010. 04. 18 2010. 04. 18 DO NOT SCALE					
PART NAME		PART NO.		PART NAME	
JDB-150-60		JDB-150-60		JDB-150-60	
MATERIAL		MATERIAL		MATERIAL	
ALN5		ALN5		ALN5	