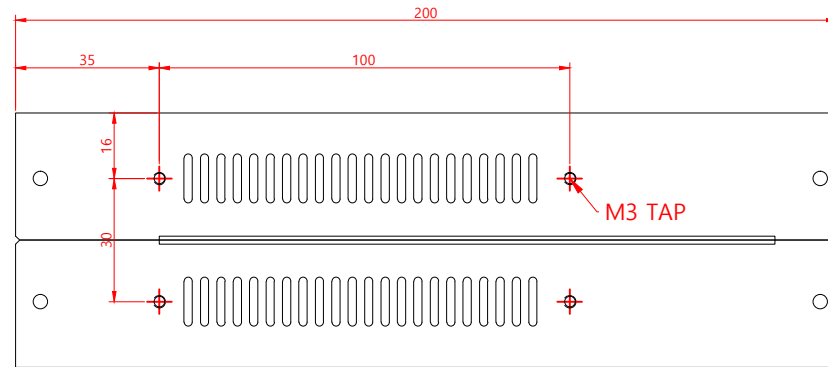
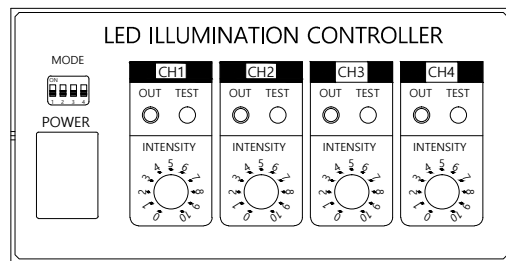
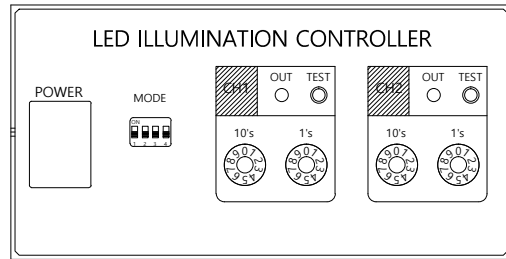
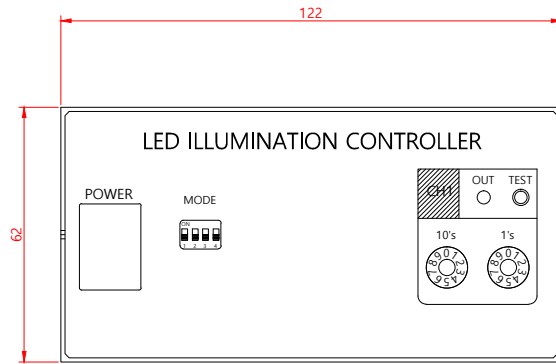


2		1			
NO	DATE	REVISIONS	E.O. NO	DR	CK

JCT-1012N/1024N
 JCT-2012N/2024N
 JCT-4012N/4024N
 JCT-1012N-200W/1024N-200W
 JCT-2012N-200W/2024N-200W
 JCT-4012N-200W/4024N-200W
 JCT-2012S
 상기 모델은 크기가 동일함



QT	Y	NO	품 번	품 명	MATERIAL	REMARK		
2	1	I/N	C	LED POWER SOURCE			도면(FORM) A1N5	
				LED POWER SOURCE				시정(1) 01 매시(SHT) 01
				PART NAME			수량(QUANTITY) 1	
				PART NO.			수용(SCALE) NS	제조(FACTORY) A1N5
FORM			출판(EDITION) NS	재질(MATERIAL)	표면처리(FINISH)	수용(SCALE) NS		
DRAWN			검토(CHECKED)	승인(APPROVED)	승인(APPROVED)	출판(EDITION) NS		
REFERENCE			작성(DESIGNED)	검토(CHECKED)	승인(APPROVED)	출판(EDITION) NS		
DATE			작성(DESIGNED)	검토(CHECKED)	승인(APPROVED)	출판(EDITION) NS		
SCALE			작성(DESIGNED)	검토(CHECKED)	승인(APPROVED)	출판(EDITION) NS		